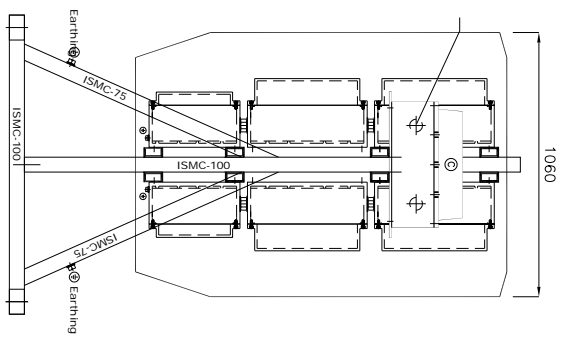
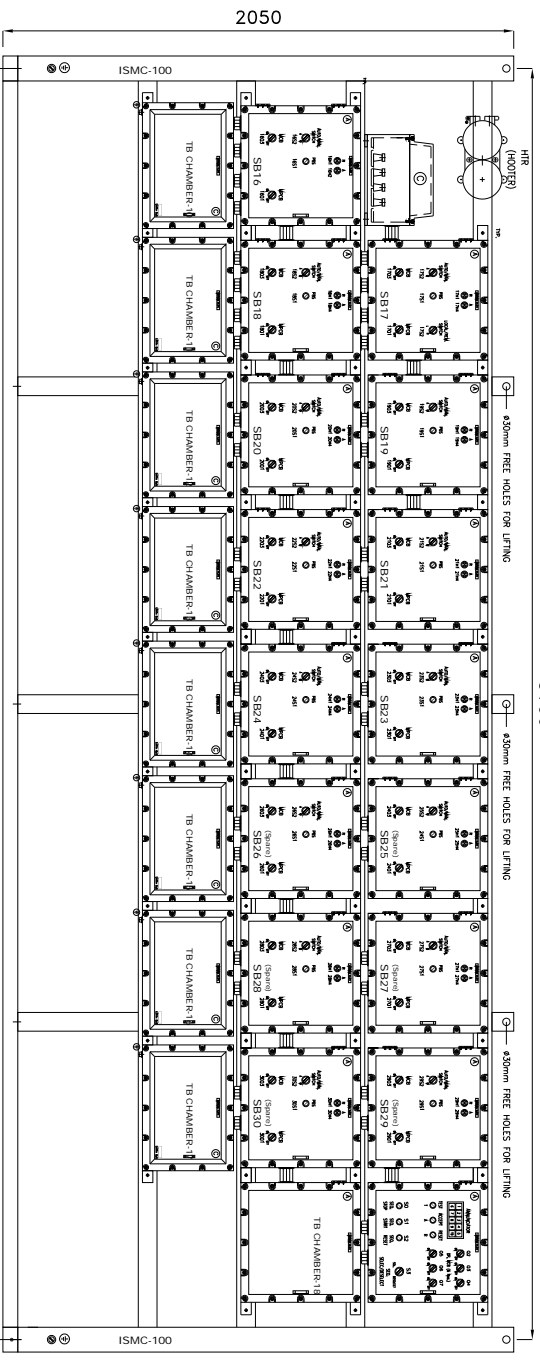


Front View of Soot Blower Panel



Side View



Rear View of Soot Blower Panel

Reference IS/IEC Standard as follows :

- 1 - FLAMEPROOF (ex d) PROTECTION - IIA/IB, IS/IEC 60079-1 (2014)
 - TEMPERATURE CLASS - T6
 - 2 - INGRESS (IP) PROTECTION - IP-66, IS/IEC 60529 (2001). (Reaffirmed 2014)
- Standard Specification :
- 1 - MATERIAL - CAST ALUMINIUM ALLOY
 - 2 - FINISH - INSIDE & OUTSIDE LIGHT GREY EPOXY POWDER COATING
 - SHADE No. 631 AS PER ISS
 - 3 - EARTHING - 1 No. INSIDE & 2 Nos. OUTSIDE M6 SIZE S.S./BRASS SCREWS WITH 2 Nos. PLAIN WASHER
 - 4 - HARDWARE - STAINLESS STEEL
 - 5 - GASKET - NEOPRENE RUBBER GASKET
 - 6 - MOUNTING ARRGT. - AS SHOWN IN DRG.
- Material / Components Specification :
- 1 - INTERNAL ELECTRICAL COMPONENTS OF SOOT BLOWER PANEL AS PER CLIENT REQUIREMENT/BOV

NOTE :

- COMPONENT LAYOUT IS TENTATIVE RELOCATION OF PARTS & COMPONENTS IS POSSIBLE AT THE TIME OF ACTUAL MANUFACTURING.
- OVERALL DIMENSIONS ARE ±10mm

<p>SUDHIR SWITCHGEARS PVT. LTD. 130, MULBARI SAMACHAR MARG, MULBARI - 400 023</p>		<p>CR. No. : RCP/221</p>
<p>FLAMEPROOF - WEATHERPROOF ENCLOSURE FOR SOOT BLOWER PANEL</p>		<p>MODEL No. : RCP/221/SB</p>
<p>DR. : JASKAW</p>		<p>DR. : profill</p>
<p>CHKD. : JASKAW</p>		<p>CHKD. : JASKAW</p>
<p>APPD. : JASKAW</p>		<p>APPD. : JASKAW</p>
<p>SCALE : 1 OF 1</p>		<p>SCALE : 1 OF 1</p>
<p>DR. : N. T. S.</p>		<p>REV. : 0</p>
<p>CHKD. CERT. No. : IN/CIMFR/TR21/R/H187</p>		<p>PSO No. : PS41015/1</p>
<p>Dt. : 17/08/2021</p>		<p>Dt. : 19/07/2022</p>
<p>BIS LICENCE No. : CM/L-000331365</p>		

THIS DRAWING IS PROPERTY OF "SUDHIR SWITCHGEARS PVT. LTD." AND MUST BE RETURNED ON REQUEST IT IS SUBMITTED AS CONFIDENTIAL INFORMATION IN CONNECTION WITH ENQUIRY, TENDER, ORDER, OR CONTRACTS IT IS NOT TO BE USED FOR ANY OTHER PURPOSE OR ORDER NOR MAY IT RE-COPIED OR LENT WITHOUT OUR AUTHORITY IN WRITING.